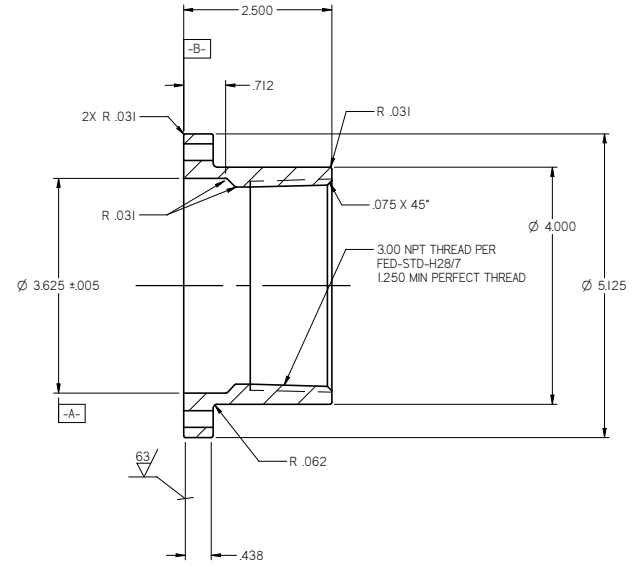
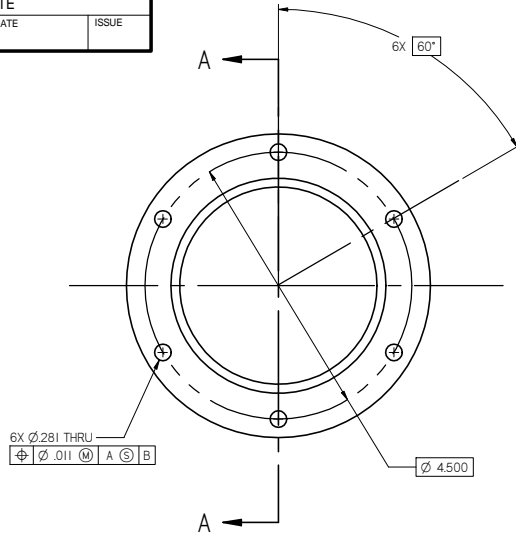


CHK BY	RELEASE	REVISIONS				
		REV	DESCRIPTION	DATE	APPROVED	

PRE-RELEASE DWG

NOT FOR PRODUCTION MFG
 NOT FOR FINAL APPROVAL
 NOT A CONTROLLED DWG

FOR COMMENTS		
FOR PROTOTYPE		
FOR COST ESTIMATE		
ENGINEER J. CORTEZ	DATE	ISSUE



SECTION A-A

QTY	PART OR IDENTIFYING NO	NOMENCLATURE OR DESCRIPTION	MATERIAL	MATERIAL SPEC	FINISH	FINISH SPEC

UNLESS OTHERWISE SPECIFIED		DRAWN	J. CORTEZ	02/01/25
DIMENSIONS ARE IN INCHES		CHECK	X XXXXXX	YMMDD
TOLERANCES ON:		W/ENGR	X XXXXXX	YMMDD
ANGLES # 2		QUALITY	X XXXXXX	YMMDD
DECIMALS .XX # .03				
DECIMALS .XXX # .010				
INTERPRET SPC FLAGS IN ACCORDANCE WITH ADEL WIGGINS GSP 569		APPROVED		
ALL FILLETS CORNERS AND EDGES R.018/005				
NEXT ASSY	12.7 SURFACE FINISH	INTERPRET DWG PER MIL-STD-100	CUSTOMER OR DDT/INAPPROVAL	

		ADEL WIGGINS GROUP	
		LOS ANGELES, CA 90022	
ADAPTER, FRONT BODY			
SIZE	FBCM NO	DWG NO	REV
D	79326	VR316-25F	NC
SCALE	X / X	EST WT	SHEET 1 OF 1

THIS DRAWING IS PROTECTED UNDER COPYRIGHT LAW AND IS THE PROPERTY OF ADEL WIGGINS GROUP. TRANSDIGM INC. DATA CONTAINED HEREIN IS PROPRIETARY TO ADEL WIGGINS GROUP. TRANSDIGM INC. THIS DRAWING AND/OR ANY PART OF THE DATA CONTAINED HEREIN MAY NOT BE COPIED, DUPLICATED OR RELEASED FOR MANUFACTURING OR SALE OF EQUIPMENT OUTSIDE OF ADEL WIGGINS GROUP. TRANSDIGM INC. OR AFFILIATES WITHOUT THE WRITTEN CONSENT OF ADEL WIGGINS GROUP, TRANSDIGM INC.

1 ALL DIAMETERS TO BE CONCENTRIC TO DATUM A WITHIN .005 FIM

NOTES: UNLESS OTHERWISE SPECIFIED

REV: 12/95